

Reference	FM 4.109 Rev 0
Date of Issue	October 2014



Fire Protection Systems Information

JF/120/30 or JF/180/120 Corrugated Steel Bulkhead

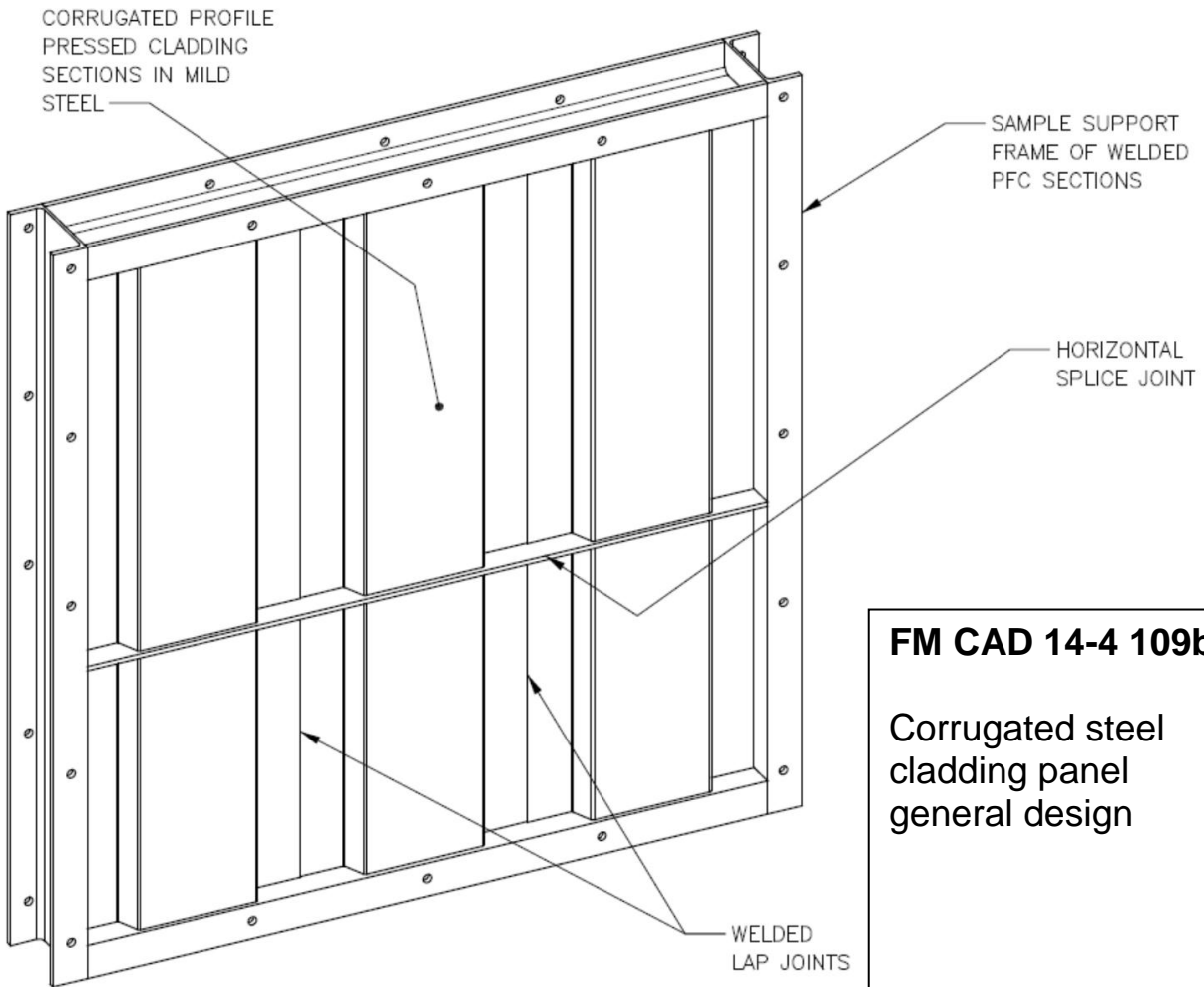
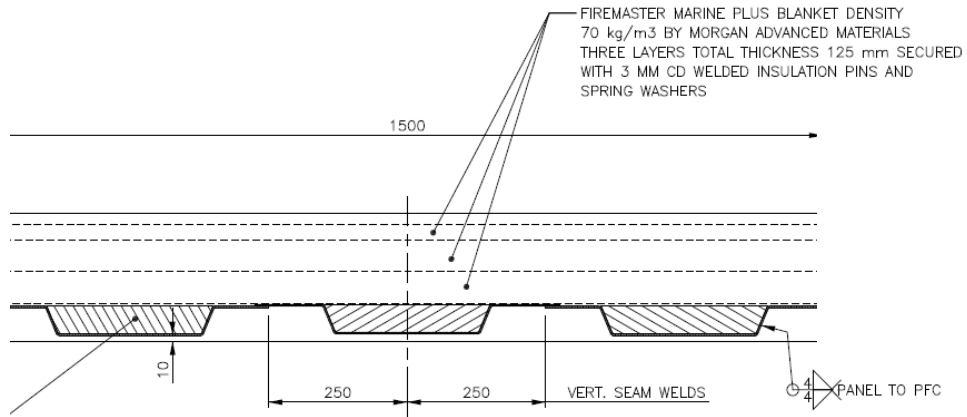
Accompanies Method Statement FM-MS 01 PW

Product	FireMaster Marine Plus Blanket
Application Requirements	Corrugated Mild Steel Bulkhead 3mm thick insulated on the non-fire exposed face with 125mm x 70kg/m ³ FireMaster Marine Plus Blanket applied in 3 layers (50mm + 50mm + 25mm). Corrugations packed with blanket of the same density
Anchoring	CD welded steel pins 3mm diameter 12 to 25mm longer than blanket thickness. Friction fit retaining washers.
Weight	8.75 kg/m ² (excluding corrugation insulation)
System Drawing Reference	FM CAD14-4.109a – insulation arrangement FM CAD 14-4 109b – cladding arrangement
System Features	<ul style="list-style-type: none"> • Thermal and acoustic insulation in addition to fire insulation • Non-heat reactive insulation material • Thin cladding design designed to have less stiffness than a conventional 5mm stiffened steel bulkhead so can be used with a variety of cladding designs • Fire tested system included horizontal splice plate detail
Certification	DNV-GL



Fire Protection Systems Information

Reference	FM 4.109 Rev 0
Date of Issue	October 2014



Reference	FM 4.109 Rev 0
Date of Issue	October 2014

Fire Protection Systems Information

FM CAD 14-4.109a

Arrangement of FireMaster Marine Plus Blanket on corrugated steel panel

Corrugations packed with blanket

First layer:

50mm x 70 kg/m³ FireMaster Marine Plus Blanket

Second Layer:

50mm x 70 kg/m³ FireMaster Marine Plus Blanket

Third - final - layer:

25mm x 70 kg/m³ FireMaster Marine Plus Blanket

Joints between layers are offset by half of blanket width

Nominal anchor centres 300mm x 300mm. Anchor placed at 75mm from the edge of the panel where insulation is terminated. In the case of 450mm coatback, the edge anchor can be omitted and placed at the edge of the coatback blanket.

